

Part number

# MHO 32.32



## Brief description:

hoods for two levers, size "77.62", side entry, M32, metal version, IP66

Product description	
Version	metal version
Series	hoods for two levers
Product type	with 4 pegs
Variant	side entry
Family	CLASS enclosures
Size	size "77.62"
Technical data	
Material	metal
IP degree of protection	IP66 (and IP69K DIN 40050 - 9)
Cable entry	M32
Further technical details	
Weight	524,00 g

Approvals / Standards	
Quality mark	UL <sup>us</sup> (type:4/4X/12), <sup>GL</sup> , EAC
Conformity	CQC, CE
General ordering information	
EAN13 code	8015747053693
Tariff number	85369095
Packaging Information	
Packaging length	200,00 mm
Packaging height	120,00 mm
Packaging width	360,00 mm
Packaging weight	3,65 kg
Packaging volume	8,64 dm <sup>3</sup>
Packaging description	Carton box
Packaging quantity	8 Pcs
Packaging EAN code	8015747053709
Sub-packaging weight	0,46 kg
Sub-packaging description	Plastic packaging
Sub-packaging quantity	1 Pcs
Sub-packaging EAN barcode	8015747053716

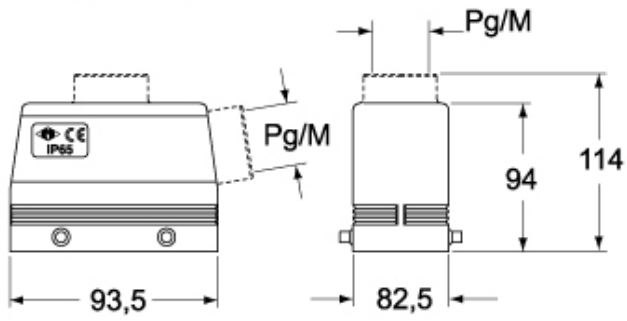
Part number

# MHO 32.32



Catalogue drawings

**CHO - CHV MHO/MFO/MFV - MHV  
MMV (MMAV)**



**CHV G - MHV G - MFV G**

